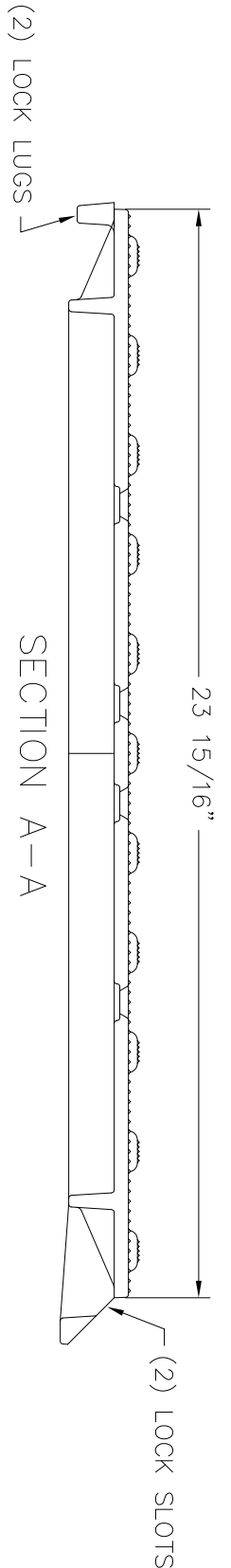
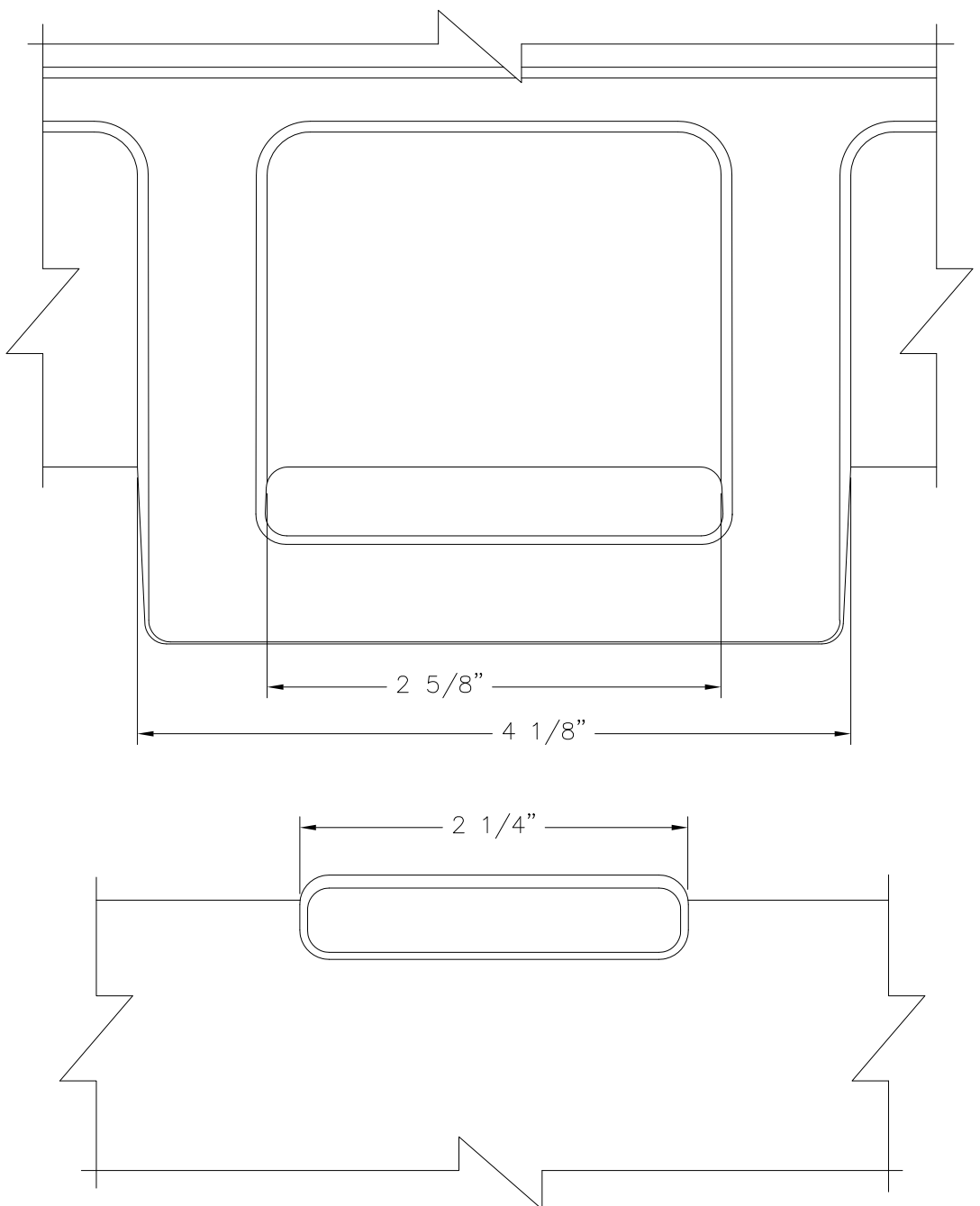
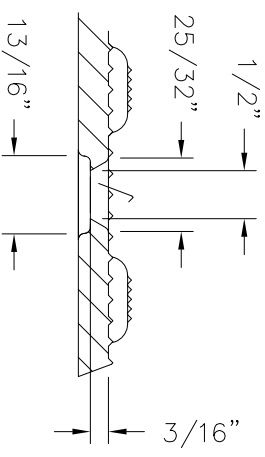


1/2" HIGH LETTERS
RAISED FLUSH



NOTE: ALL DIMENSIONS SHOWN ARE IN ENGLISH
 COMPONENT NOS.: 4984-XXXX
 EQUIPMENT NOS.: D22229232, K22229233 (1 NEW INSERT)
 MATERIAL: CAST GRAY IRON ASTM A-48, CLASS 35B
 FINISH: NO PAINT
 WEIGHT: 62#



NEW STYLE LOCK SLOT AND LUG DETAIL
 FULL SCALE LOCK SLOT AND LUG 'A'