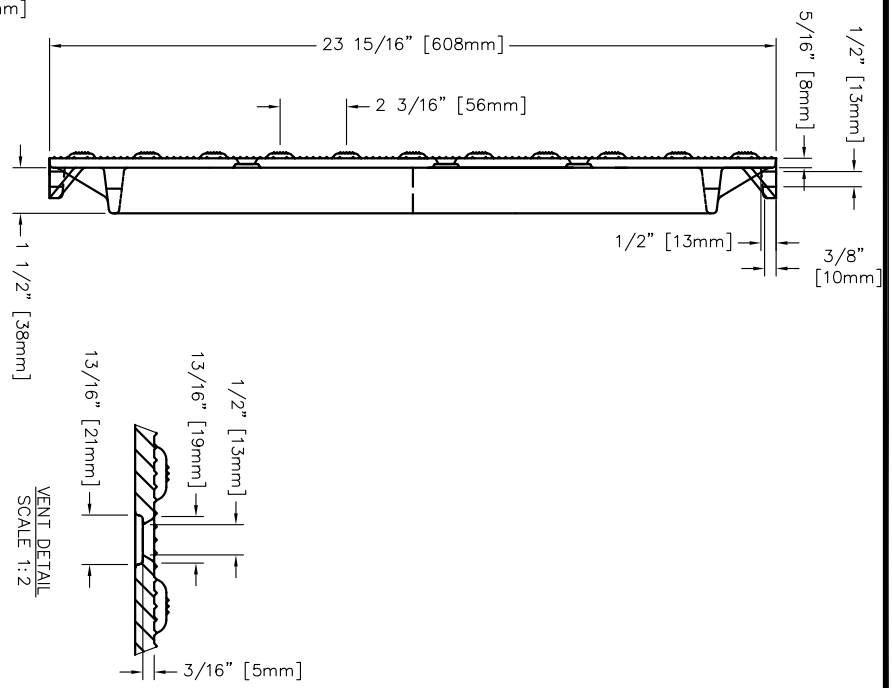
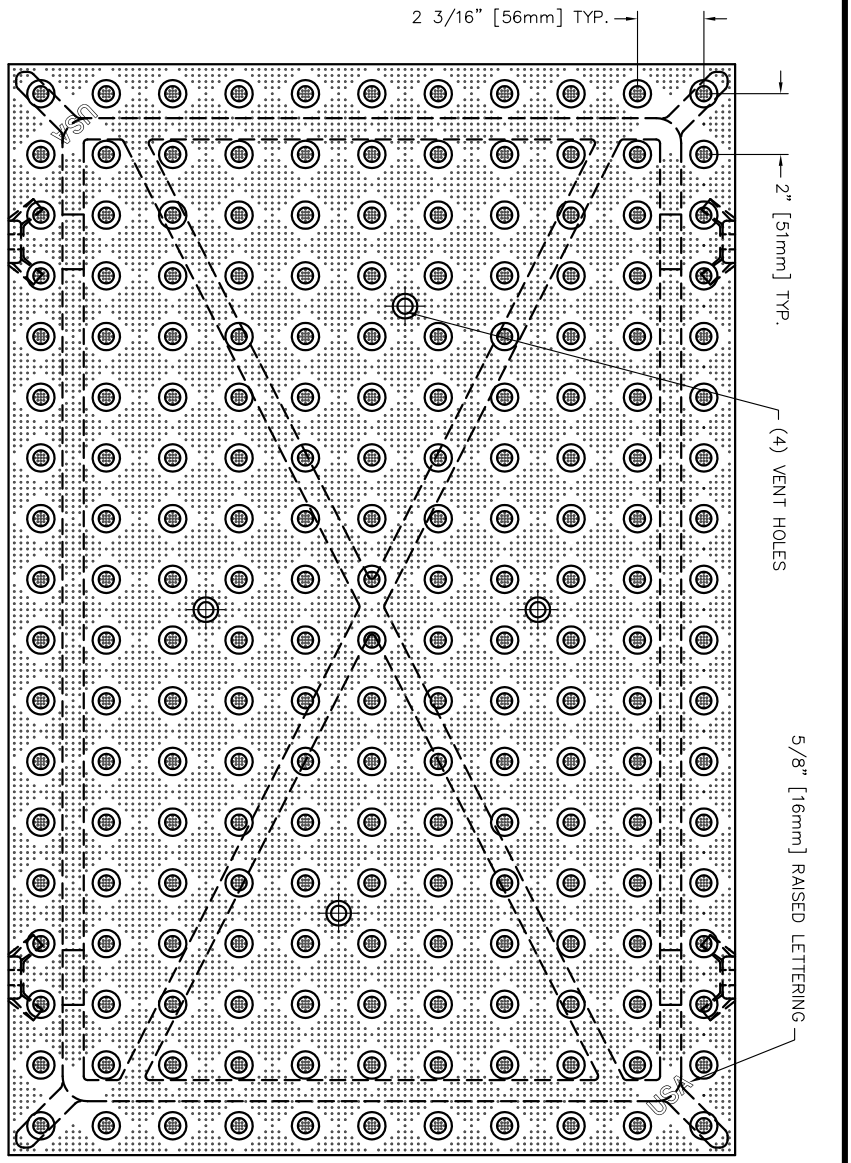
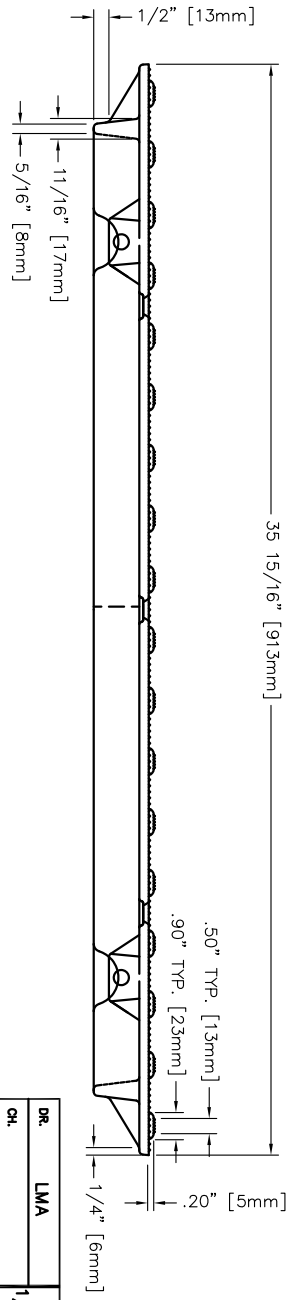


DESIGNED	DATE	REVISION	DATE	REVISION
05-11-2008				
CHKD	DATE	APP.	DATE	APP.
	06-28-2007			

DR.	LMA	SCALE	TITLE
CH.		1/4" = 1"	DETECTABLE WARNING PLATE
APP.		DWG. CHK.	
		36" X 24"	
		9350 CR 19	
		LORETTO, MN 55357	
		49840007	
		763-478-8128	

COMPLIES WITH ADAAG (AMERICANS WITH DISABILITIES ACT ACCESSIBILITY GUIDELINES) AND ARCHITECTURAL BARRIER ACT GUIDELINES.  
 NOTE: ALL DIMENSIONS SHOWN ARE IN ENGLISH AND [METRIC].  
 MATERIAL: CAST GRAY IRON ASTM A-48, CLASS 30B  
 FINISH: NO PAINT  
 WEIGHT: 102#  
 WAS 4984T08



VENT DETAIL  
SCALE 1:2